

GEAR FLOW
DIVIDERS

INDEX

Section	Page
GENERAL FEATURES	3
GENERAL DATA	5
FLOW EQUALIZER	6
FLOW DIVIDERS	8
TYPICAL CIRCUITS	10
NOTES ABOUT COMPOSITION	12
PORTS DIMENSIONS	14
GROUP DIMENSIONS	16
HOW TO ORDER.....	20



Modification from former edition.

03/01.2013

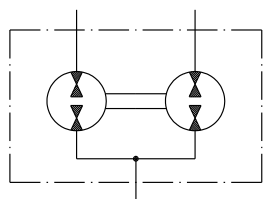
GENERAL FEATURES

Modern machinery with increasingly complex circuits often needs combinations of separate and independent movements. POLARIS 10 and POLARIS 20 flow dividers provide technically advanced, low cost power transmission and solve application problems wherever hydraulic flow has divided. In line with our policy of simplifying the design of hydraulic circuits, our flow dividers have relief valves built into limit pressure and prevent cavitation.

These components permit hydraulic circuits to be cleverly optimised and reduce installation costs. The POLARIS flow dividers are two or more section dividers with a common internal connecting shaft. This maintains a constant ratio between the flows through each section in accordance with section displacement. Theoretical working of rotary flow dividers do not dissipate energy in fact if the outlet pressure of one section drops below input pressure, that section operates as a motor and takes energy from the fluid. This energy is not wasted but transferred by the common shaft to the other sections which operate as pumps and therefore need outlet pressure to be greater than inlet pressure. In working conditions, overall efficiencies depend on the sum of the single sections efficiency.

These products can therefore be used as flow equalizers, flow dividers and pressure intensifiers as shown in the table below.

Replaces: 02/11.2000



Outlet pressure	Sections with same displacement	Sections with different displacement
Same	Flow equalizers	Flow dividers
Different	Flow equalizers	Flow dividers
	Pressure intensifiers	

DISPLACEMENTS

From 0.122 in³/rev (2 cm³/rev)
To 1.99 in³/rev (32,6 cm³/rev)

PRESSURE

Max. continuous 3600 psi (250 bar)
Max. peak 4000 psi (280 bar)

- Modular design
- Accurate division of flow
- Compact overall dimension
- Built-in relief valve

03/01.2013

Fluid	Mineral oil based hydraulic fluids to DIN 51524. For other fluids please consult our sales department.	
Fluid temperature range	°F (°C)	-13 (-25) to +176 (+80) with Buna N seals -13 (-25) to +230 (+110) con guarnizioni in Viton V
Fluid viscosity range	SSU (mm ² /s cSt)	55 (12) to 455 (100) recommended Up to 3409 (750) permitted

Working pressure psi (bar)	$\Delta p < 2030$ $\Delta p < (140)$	$2030 < \Delta p < 3045$ $(140) < \Delta p < (200)$	$\Delta p > 3045$ $\Delta p > (210)$
Contamination class NAS 1638	10	9	8
Contamination class ISO 4406:1999	21/19/16	20/18/15	19/17/14
Achieved with filter $\beta_{10}(c) \geq 75$ according to ISO 16889	-	10 μm	10 μm
Achieved with filter $\beta_{25}(c) \geq 200$ according to ISO 16889	25 μm	-	-

Casappa consiglia i filtri della propria produzione:



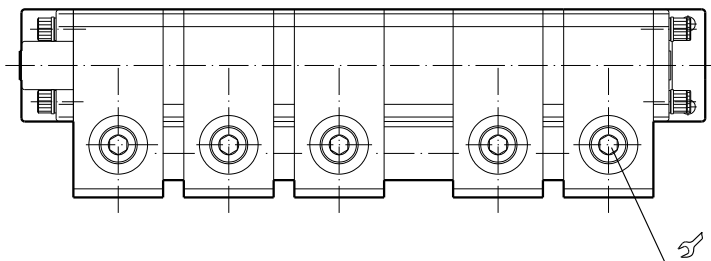
GENERAL FEATURES OF RELIEF VALVES

Relief valves allow the actuators to realign at the end of each cycle in both flow directions. As an example when the cylinders extend, they may not all reach their end stops exactly at the same time. In this case as soon as one cylinder reaches its stop, the relief valve in that section directs fluid to tank until all the other cylinders reach their stops. While retracting the relief valve acts as check valve and opens to prevent cavitation.

Relief settings valve and their identification code are listed in the table below.

Stamp code	Δp nominal setting 2.64 US gpm (10 l/min)	Δp minimum begin opening valve
	psi (bar)	psi (bar)
34	508 (35)	465 (32)
4	725 (50)	667 (46)
22	870 (60)	783 (54)
23	1015 (70)	957 (66)
6	1160 (80)	1102 (76)
7	1450 (100)	1392 (96)
17	1740 (120)	1682 (116)
8	1813 (125)	1740 (120)
9	2030 (140)	1958 (135)
26	2175 (150)	2103 (145)
10	2320 (160)	2248 (155)
11	2538 (175)	2465 (170)
35	2610 (180)	2523 (174)
12	2755 (190)	2668 (184)
33	2987 (206)	2886 (199)
14	3045 (210)	2944 (203)
15	3335 (230)	3219 (222)
16	3625 (250)	3509 (242)
27	3770 (260)	3654 (252)
20	4060 (280)	3930 (271)

Adjustable relief valves are available on request.



Tightening torque



442 lbf in
(50 Nm)

D024-D62/0200

02/11.2000

GENERAL DATA

Type	Displacement in ³ /rev (cm ³ /rev)	Max. outlet pressure		Max. outlet Δp between sections (1) psi (bar)	Speed		Flow per section	
		p_1	p_2		min.	max.	min.	max.
		psi (bar)			min ⁻¹		US gpm (l/min)	
PLD 10•2	0.12 (2)	3600 (250)	4000 (280)	3000 (200)	1250	4200	0.70 (2,65)	2.35 (8,9)
PLD 10•3,15	0.19 (3,1)	3600 (250)	4000 (280)	3000 (200)	1205	3990	1.05 (3,99)	3.49 (13,2)
PLD 10•4	0.24 (4)	3600 (250)	4000 (280)	3000 (200)	1175	3840	1.32 (4,98)	4.28 (16,2)
PLD 10•5	0.30 (4,9)	3600 (250)	4000 (280)	3000 (200)	1140	3680	1.60 (6,04)	5.15 (19,5)
PLD 10•6,3	0.38 (6,2)	3600 (250)	4000 (280)	3000 (200)	1100	3500	1.93 (7,29)	6.13 (23,2)
PLD 20•4	0.29 (4,8)	3600 (250)	4000 (280)	3000 (200)	1250	4100	1.63 (6,16)	5.34 (20,2)
PLD 20•6,3	0.39 (6,5)	3600 (250)	4000 (280)	3000 (200)	1235	3970	2.15 (8,12)	6.90 (26,1)
PLD 20•8	0.50 (8,3)	3600 (250)	4000 (280)	3000 (200)	1220	3850	2.66 (10,05)	8.36 (31,65)
PLD 20•11,2	0.67 (11,1)	3600 (250)	4000 (280)	3000 (200)	1200	3660	3.55 (13,42)	10.79 (40,85)
PLD 20•14	0.87 (14,4)	3600 (250)	4000 (280)	3000 (200)	1175	3460	4.50 (17,03)	13.22 (50,02)
PLD 20•16	1.01 (16,6)	3000 (200)	3300 (280)	3000 (200)	1160	3335	5.14 (19,47)	14.76 (55,88)
PLD 20•20	1.27 (20,8)	3000 (200)	3300 (280)	3000 (200)	1130	3125	6.30 (23,83)	17.36 (65,7)
PLD 20•25	1.58 (26)	3000 (200)	3300 (280)	3000 (200)	1100	2900	7.64 (28,9)	20.13 (76,21)
PLD 20•31,5	1.99 (32,6)	3000 (200)	3300 (280)	3000 (200)	1060	2660	9.20 (34,84)	23.09 (87,39)

p_1 = Max. continuous pressure

p_2 = Max. peak pressure

(1): Pressure intensifiers can work at high pressure between sections.

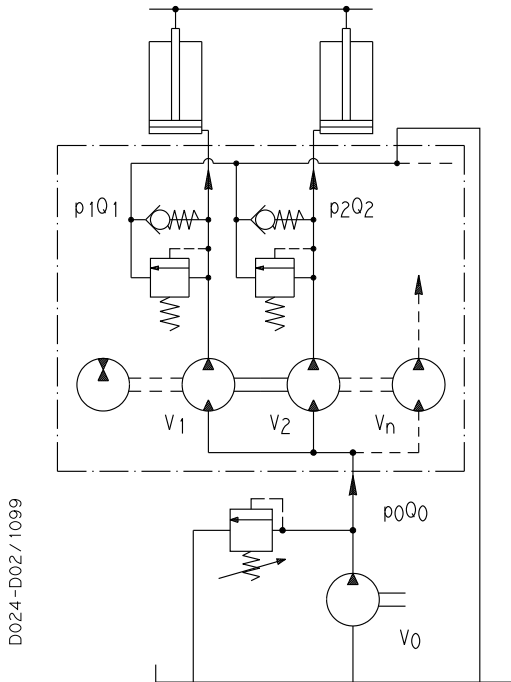
For working conditions outside the recommended limits shown in the table, please consult our sales department.

	Max. flow for inlet section
	l/min
PLD 10	9.25 US gpm (35 l/min)
PLD 20	21.14 US gpm (80 l/min)

03/01.2013

FLOW EQUALIZERS (WITH EQUAL DISPLACEMENTS)

Flow accuracy equalizers is within $\pm 2\%$ if they are rotating in the recommended speed range and the differential pressure between sections is less than 1450 psi (100 bar). When several single acting cylinders are operated together, acting on loads have not sufficient mass to win the circuit's resistance, we recommend a further gear section acting as a motor in order to guarantee the cylinders retract. The displacement of this motor should be roughly equal to the sum of the displacements of the other sections. Two typical circuit diagrams of applications where flow equalizers are utilized will be found on page 10.



V	in ³ /rev (cm ³ /rev)	Displacement
Q	US gpm (l/min)	Flow
p	psi (bar)	Pressure
n	min ⁻¹	Speed

$$Q_0 = Q_1 + Q_2 \dots + Q_n$$

$$p_0 Q_0 = p_1 Q_1 + p_2 Q_2 \dots + p_n Q_n$$

$$V_{(\dots)} = \frac{1000 Q_{(\dots)}}{n}$$

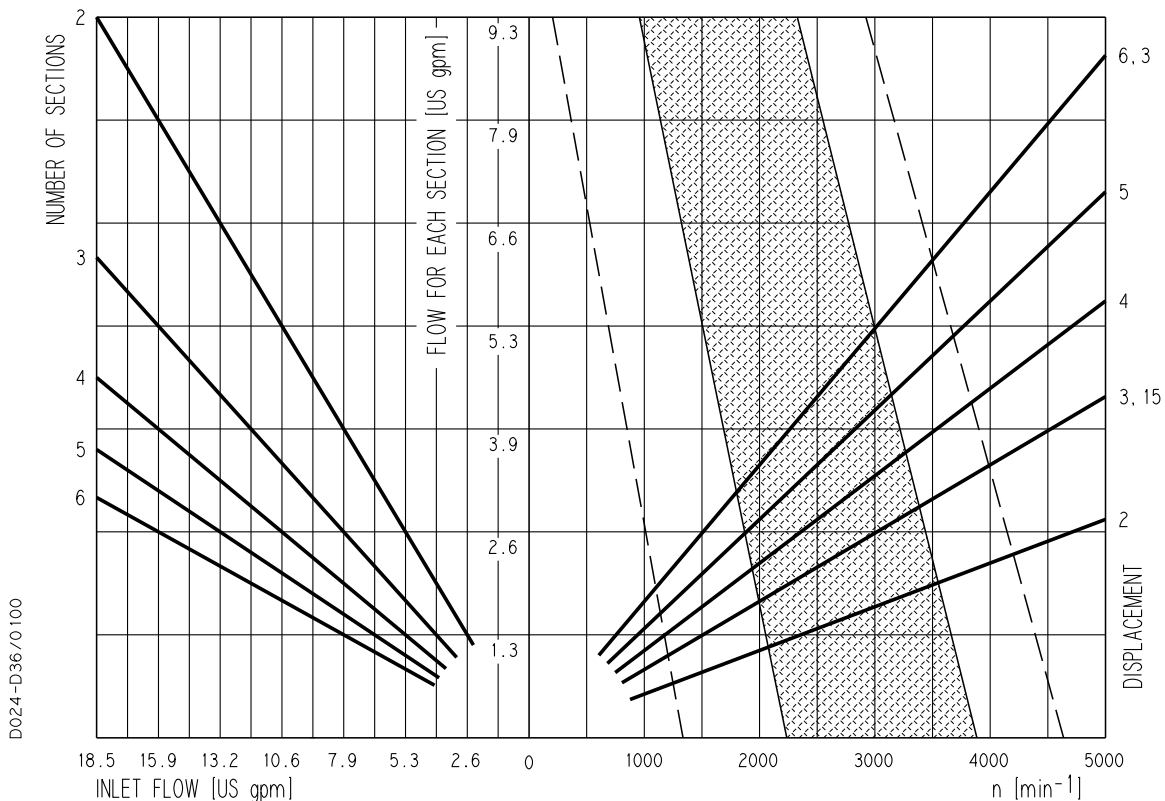
DISPLACEMENT SELECTION GUIDE EXAMPLE

Assume that it is necessary to supply power to two cylinders that require a flow rate of 10.6 US gpm (40 l/min) each. For simplicity's sake we will ignore pressure losses and the compression factor of the fluid. The pump must deliver a flow equal to: $Q_0 = Q_1 + Q_2 = 21.2$ US gpm (80 l/min). To find the displacement of the two sections of the flow equalizer, simply locate the flow rate 21.2 US gpm (80 l/min) on the X axis and then ascend vertically until the line corresponding to the number of sections (2) is encountered; now trace a horizontal line to the right until encountering the lines referring to displacement. Select the displacement with the point of intersection on the graph that lies nearest to the maximum speed in optimum performance range.

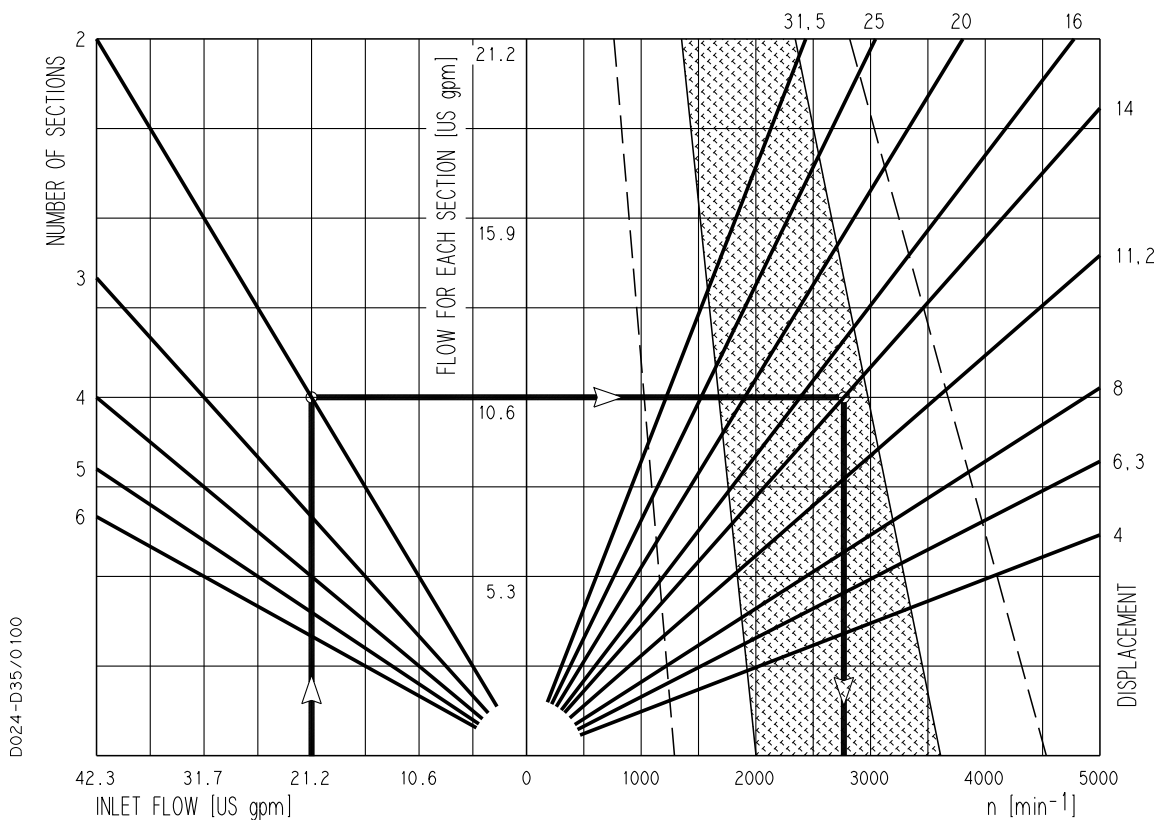
02/11.2000

DISPLACEMENT SELECTION GUIDE

PLD 10



PLD 20



02/11.2000

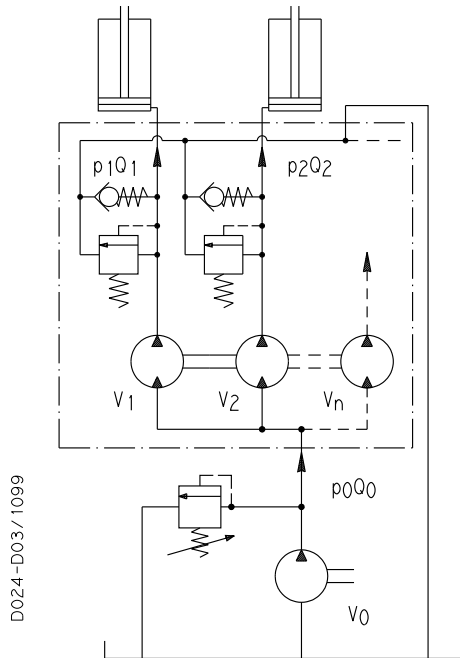
— — Performance range

▨ Optimum performance range

Each curve has been obtained at 122°F (50°C), using oil with viscosity 212 SSU (36 mm²/s) at 104°F (40°C).

FLOW DIVIDERS (WITH UNEQUAL DISPLACEMENTS)

Flow dividers are used where the same pump must drive several different actuators requiring different pressures and flow rates. The displacement of each section must be proportional to the flow rate required by the actuator to which it is connected. Two typical circuit diagrams of applications where flow dividers are utilized will be found on page 11.



V	in ³ /rev (cm ³ /rev)	Displacement
Q	US gpm (l/min)	Flow
p	psi (bar)	Pressure
n	min ⁻¹	Speed

$$Q_0 = Q_1 + Q_2 \dots + Q_n$$

$$p_0 Q_0 = p_1 Q_1 + p_2 Q_2 \dots + p_n Q_n$$

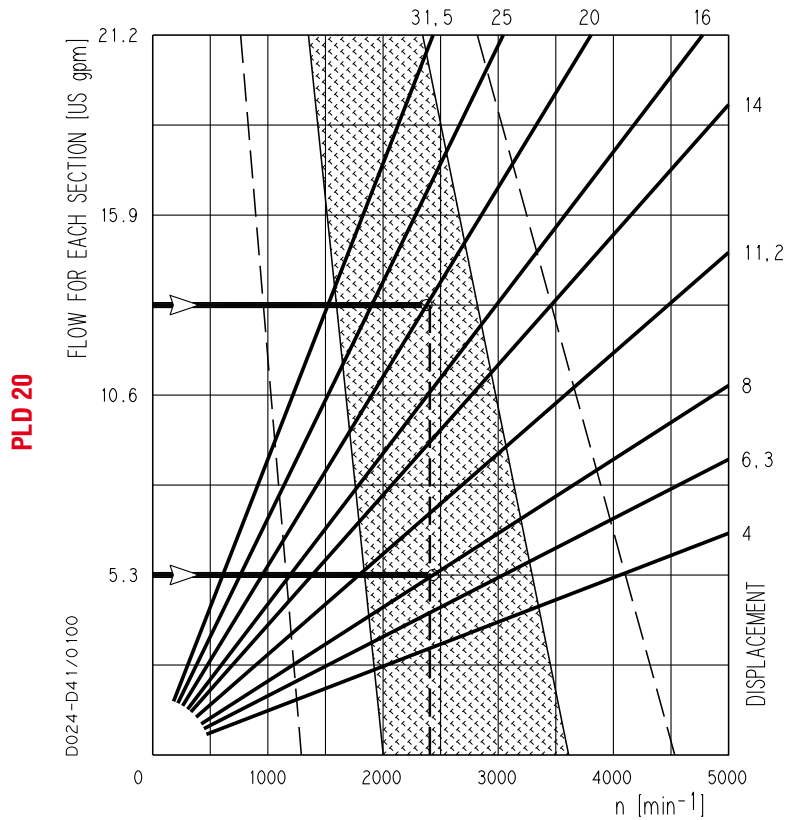
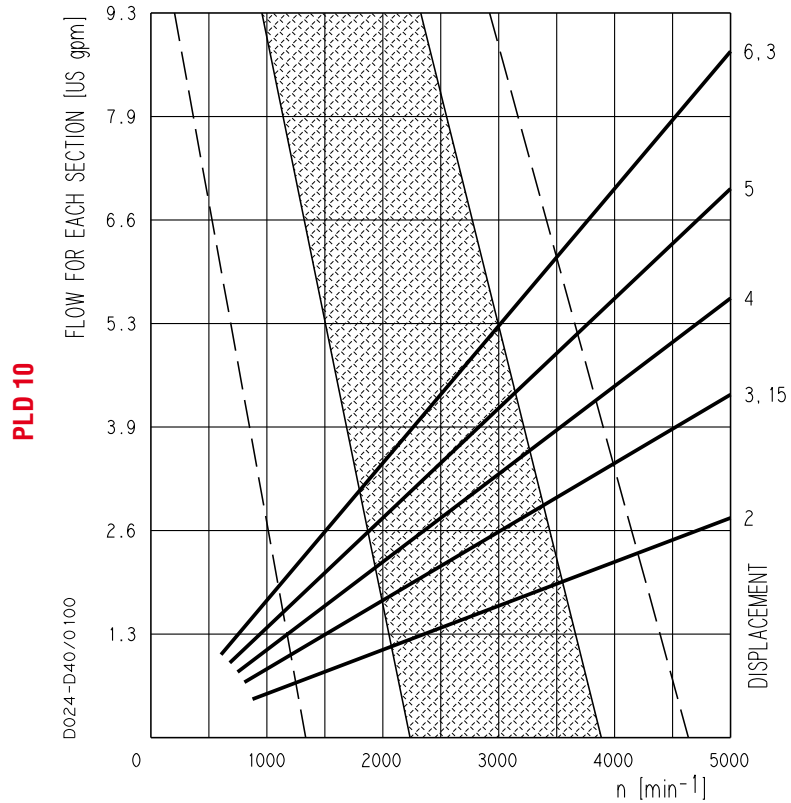
$$V_{(\dots)} = \frac{1000 Q_{(\dots)}}{n}$$

DISPLACEMENT SELECTION GUIDE EXAMPLE

Assume two actuators must be driven using 13.2 US gpm (50 l/min) and 5.3 US gpm (20 l/min) respectively. To find the displacement of the flow divider sections, simply locate the flow rates in question on the Y axis and then move across horizontally until the lines corresponding to the displacement are encountered. Select a displacement with points of intersection aligned as near as possible vertically, and the nearest to the maximum speed in optimum performance range.

02/11.2000

DISPLACEMENT SELECTION GUIDE



Performance range



Optimum performance range

Each curve has been obtained at 122°F, using oil with viscosity 212 SSU at 104°F.

02/11.2000

TYPICAL CIRCUITS FOR FLOW EQUALIZERS (WITH EQUAL DISPLACEMENTS)

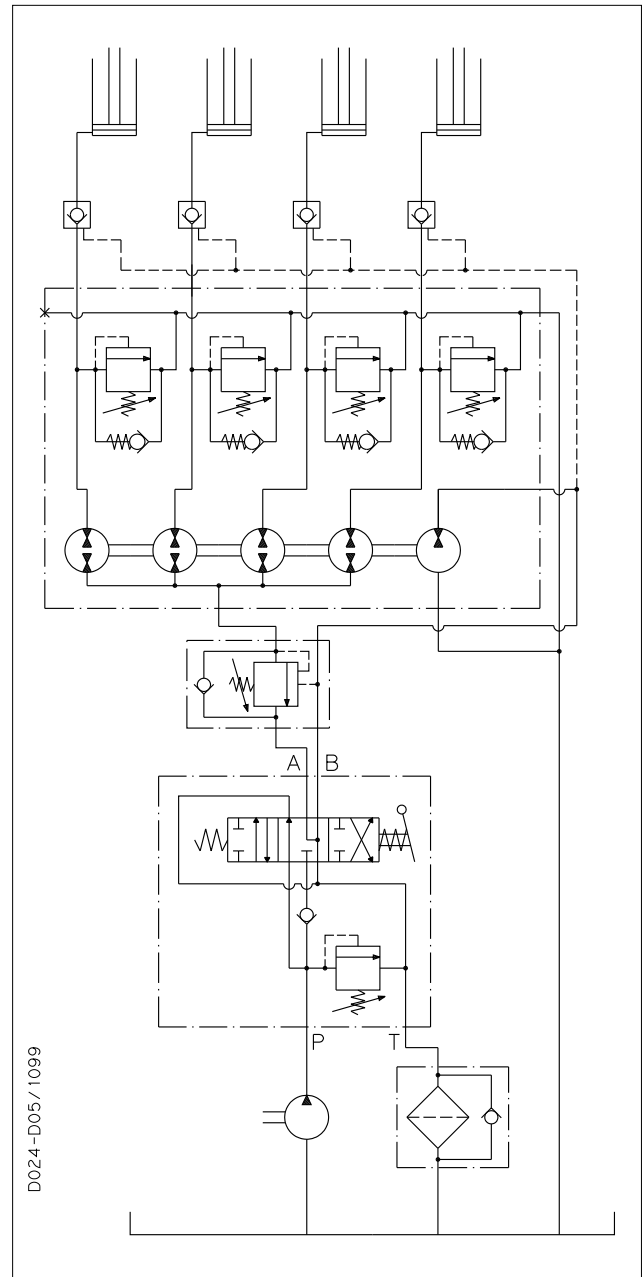
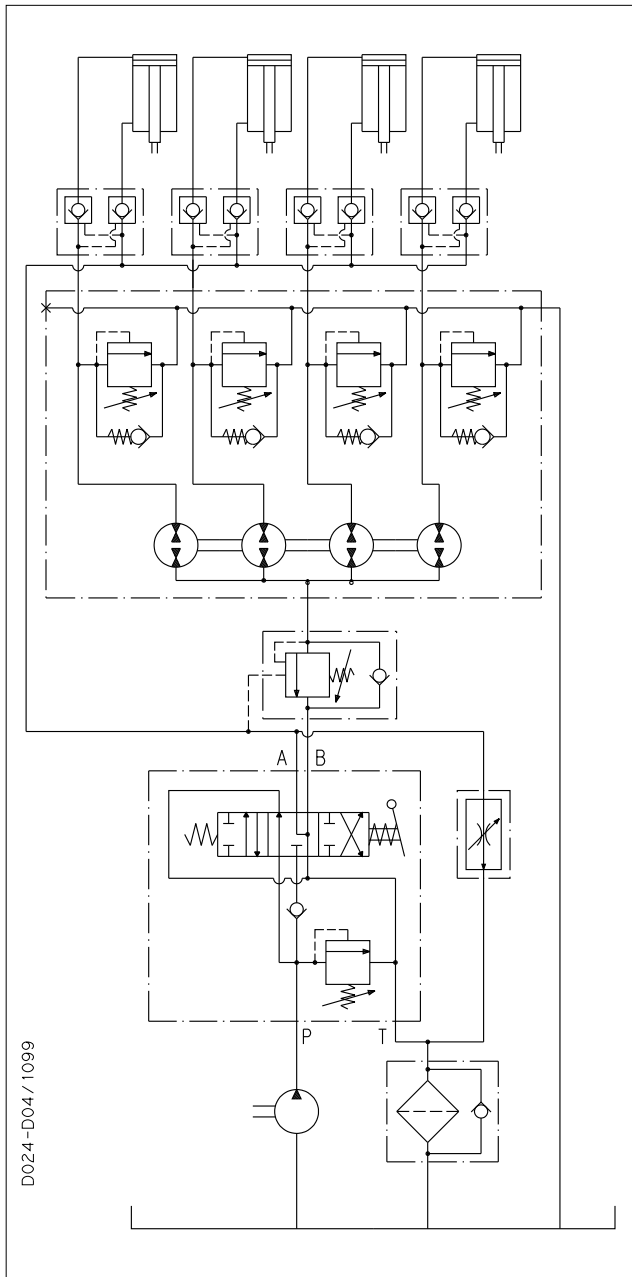
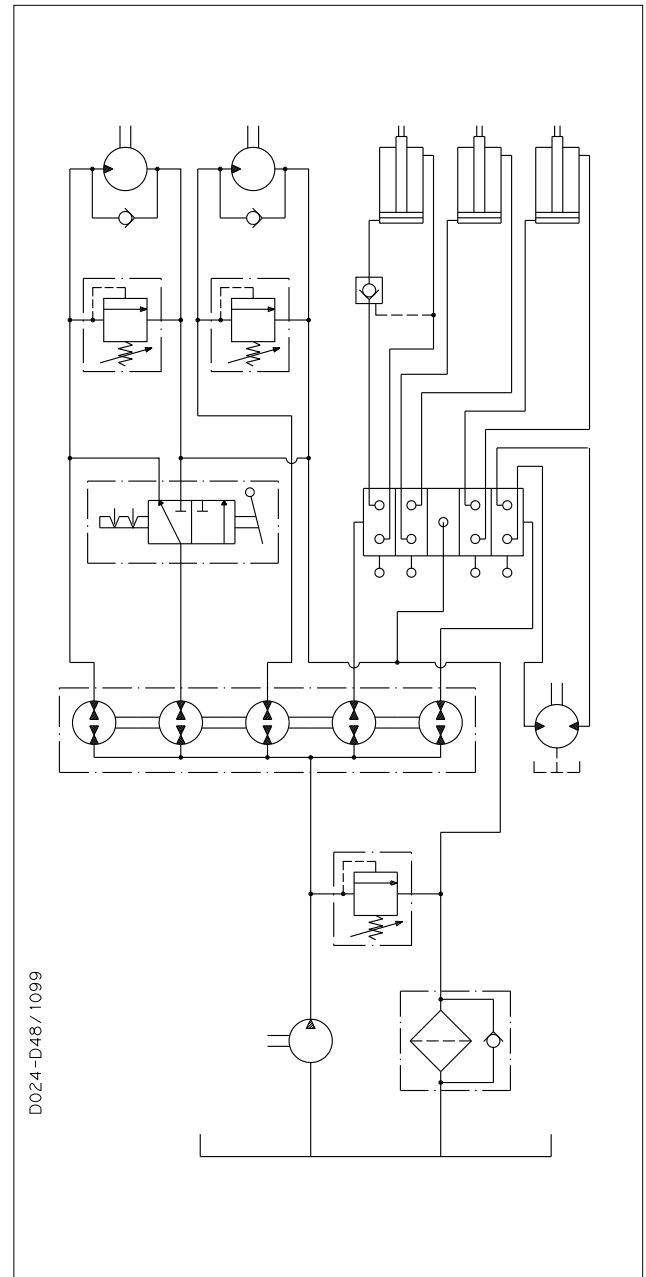
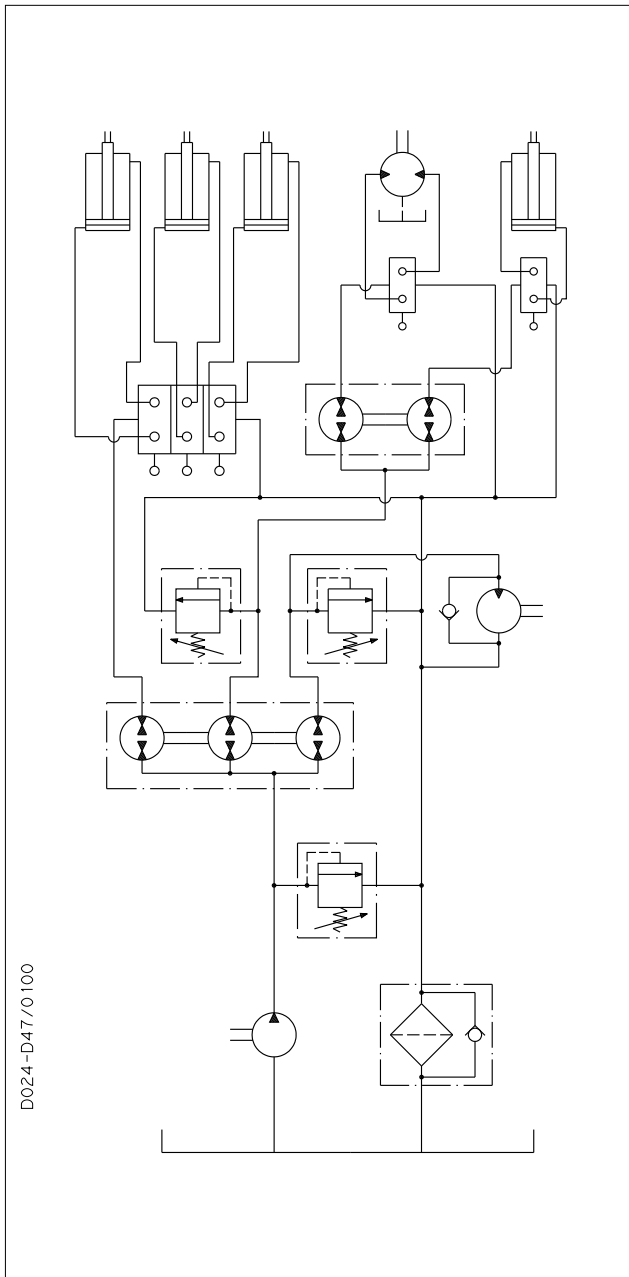


Diagram with a flow equalizer operating double acting cylinders.

Diagram with a flow equalizer operating single acting cylinders.

02/11.2000

TYPICAL CIRCUITS FOR FLOW DIVIDERS (WITH UNEQUAL DISPLACEMENTS)

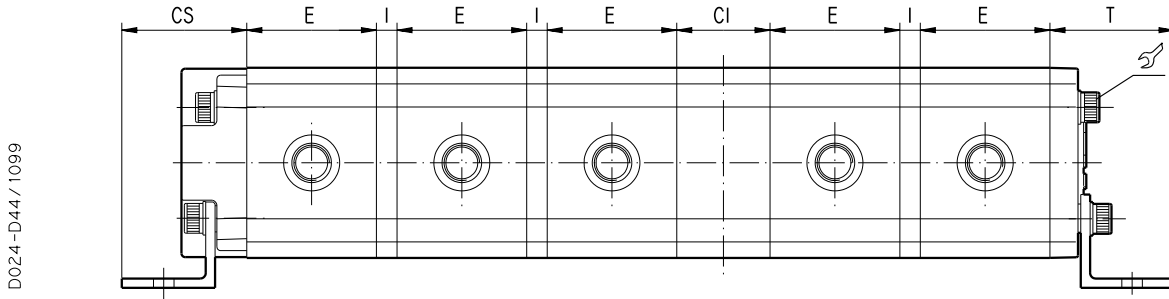


02/11.2000 Diagram with a flow divider permitting the use of a single pump to drive a number of different actuators requiring flows at different pressures.

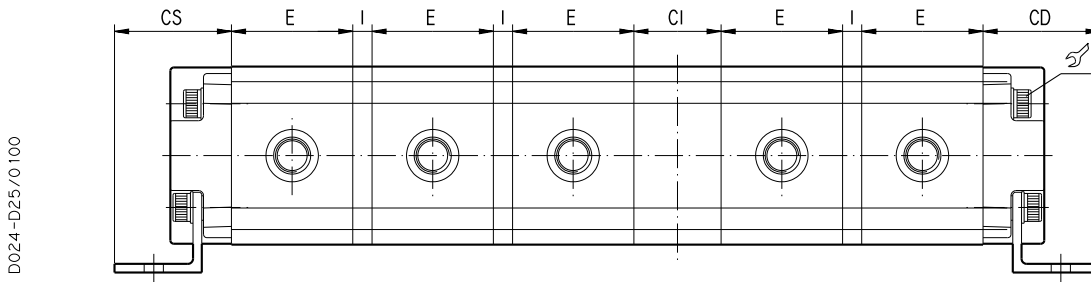
NOTES ABOUT COMPOSITION

Flow divider sections are arranged in descending displacements or groups with the largest displacement to the left as viewed from the outlet ports side. Standard formats of flow dividers are given beneath; for different configurations please consult our sales department.

STANDARD COMPOSITION FOR 5 SECTIONS



COMPOSITION WITH ADDITIONAL INLET SECTION



CS	Left inlet section kit
E	Section
I	Intermediate kit flange
CI	Intermediate inlet section kit
T	End cover kit
CD	Additional right inlet section kit (only for high delivery)

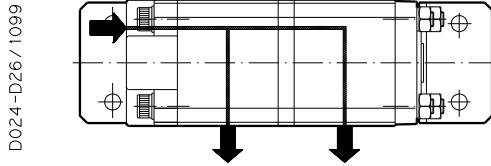
	Max. flow for inlet section
	l/min
PLD 10	35
PLD 20	80

	Tightening torque
	lbf in (Nm)
PLD 10	221 (25)
PLD 20	442 (50)

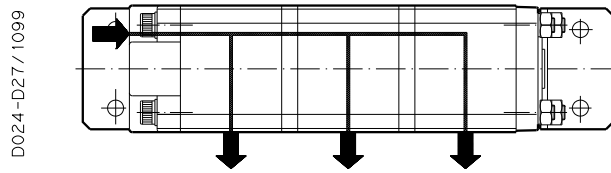
02/11.2000

STANDARD COMPOSITIONS FOR SECTIONS WITH OR WITHOUT VALVE

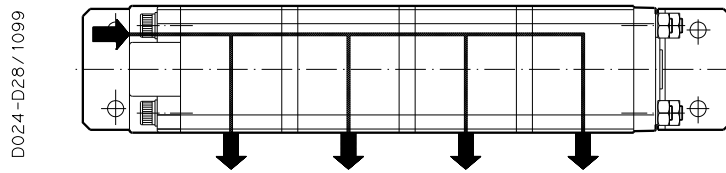
2 SECTIONS WITH 1 INLET SECTION



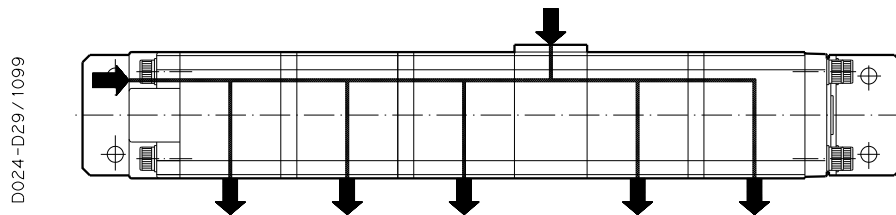
3 SECTIONS WITH 1 INLET SECTION



4 SECTIONS WITH 1 INLET SECTION

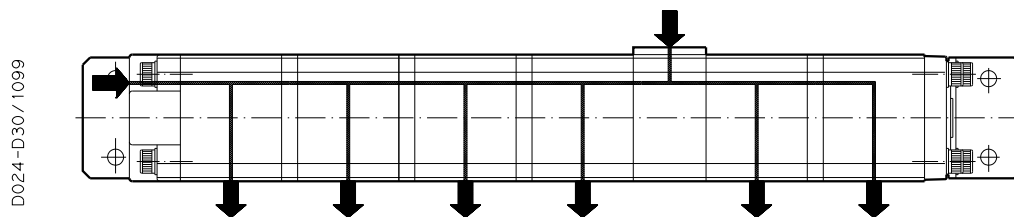


5 SECTIONS WITH 2 INLET SECTIONS



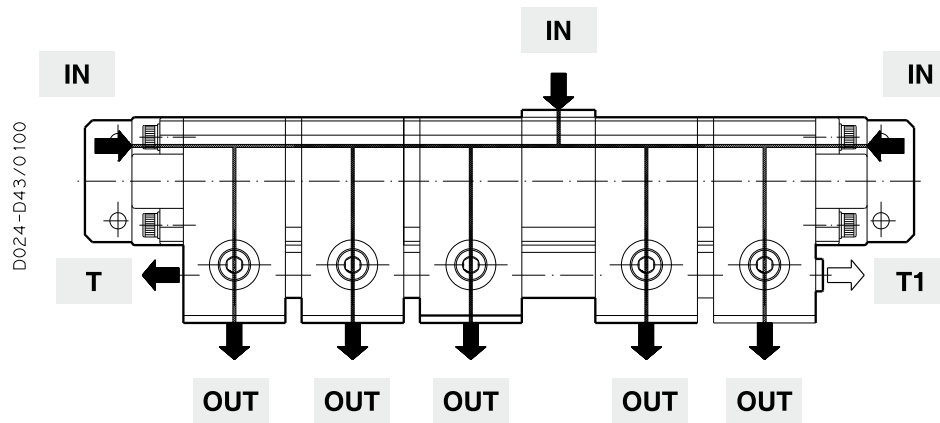
6 SECTIONS WITH 2 INLET SECTIONS

02/11.2000



Note: Combinations between different groups (PLD10 / PLD20) are available.
For more informations please consult our technical sales department.

PORTS DIMENSIONS



IN	Inlet port
OUT	Outlet port
T	Drain port
T1	Additional drain port

PORTS TYPE	GAS BSPP			SAE ODT		
	IN	OUT	T - T1	IN	OUT	T - T1
PLD 10•2						
PLD 10•3,15						
PLD 10•4	GD	GC	GC	OB	OA	OA
PLD 10•5						
PLD 10•6,3						
PLD 20•4						
PLD 20•6,3						
PLD 20•8						
PLD 20•11,2						
PLD 20•14	GE	GD	GD	OD	OC	OB
PLD 20•16						
PLD 20•20						
PLD 20•25						
PLD 20•31,5						

02/11.2000

PORTS DIMENSIONS



Tightening torque for low pressure side port



Tightening torque for high pressure side port [values obtained at 5075 psi (350 bar)]

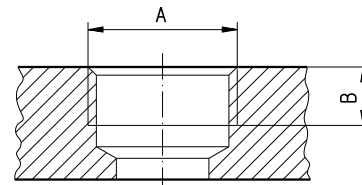
Replaces: 02/11.2000

GAS STRAIGHT THREAD PORTS

BSPP

British standard pipe parallel (55°) conforms to UNI - ISO 228

D024-D45/1099



CODE	Nominal size	A	Ø B		Tightening Torque	
			mm (in)	Nm (lbf in)	Nm (lbf in)	Nm (lbf in)
GC	3/8"	G 3/8	14 (0.551)	15 ⁺¹ (133 ÷ 142)	25 ⁺¹ (221 ÷ 230)	
GD	1/2"	G 1/2	14 17 (◆) (0.669)	20 ⁺¹ (177 ÷ 186)	50 ^{+2,5} (443 ÷ 465)	
GE	3/4"	G 3/4	18 (0.709)	—	90 ⁺⁵ (797 ÷ 841)	

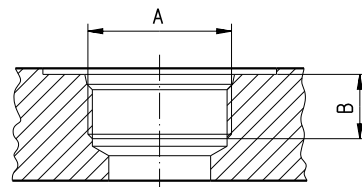
(◆) For POLARIS 20

SAE STRAIGHT THREAD PORTS J514

ODT

American straight thread UNC-UNF 60° conforms to ANSI B 1.1

D024-D46/1099

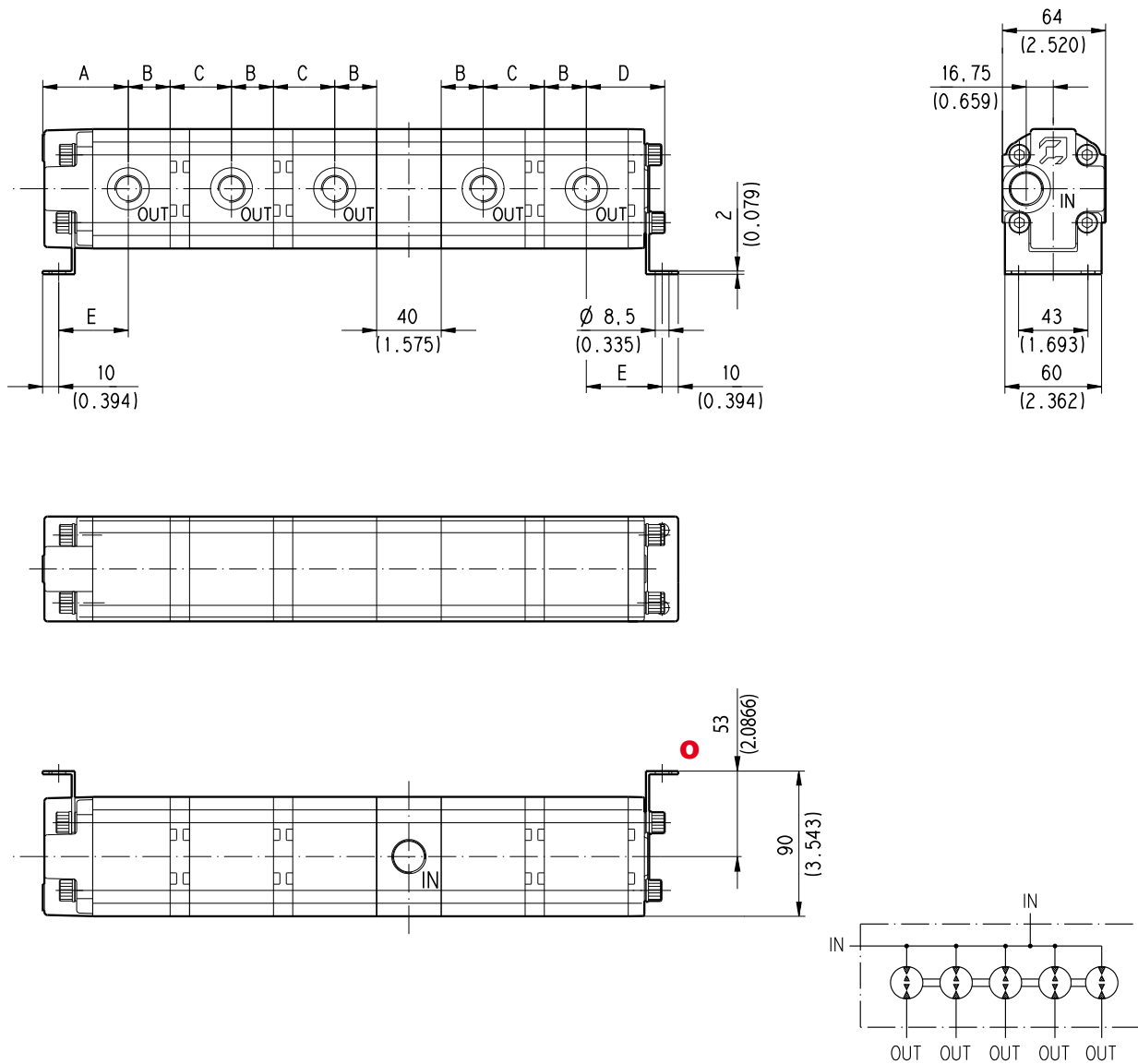


CODE	Nominal size	A	Ø B		Tightening Torque	
			mm (in)	Nm (lbf in)	Nm (lbf in)	Nm (lbf in)
OA	3/8"	9/16" - 18 UNF - 2B	15 (0.591)	15 ⁺¹ (133 ÷ 142)	25 ⁺¹ (221 ÷ 230)	
OB	1/2"	3/4" - 16 UNF - 2B	15 (0.591)	20 ⁺¹ (177 ÷ 186)	45 ^{+2,5} (398 ÷ 420)	
OC	5/8"	7/8" - 14 UNF - 2B	17 (0.669)	—	70 ⁺⁵ (620 ÷ 664)	
OD	3/4"	1 1/16" - 12 UNF - 2B	20 (0.787)		120 ⁺¹⁰ (1062 ÷ 1151)	

03/01.2013

SAME GROUP DIMENSIONS

PLD 10



D024-D37/0200

Replaces: 02/11.2000

IN and OUT ports dimensions are shown on page 14 and page 15.

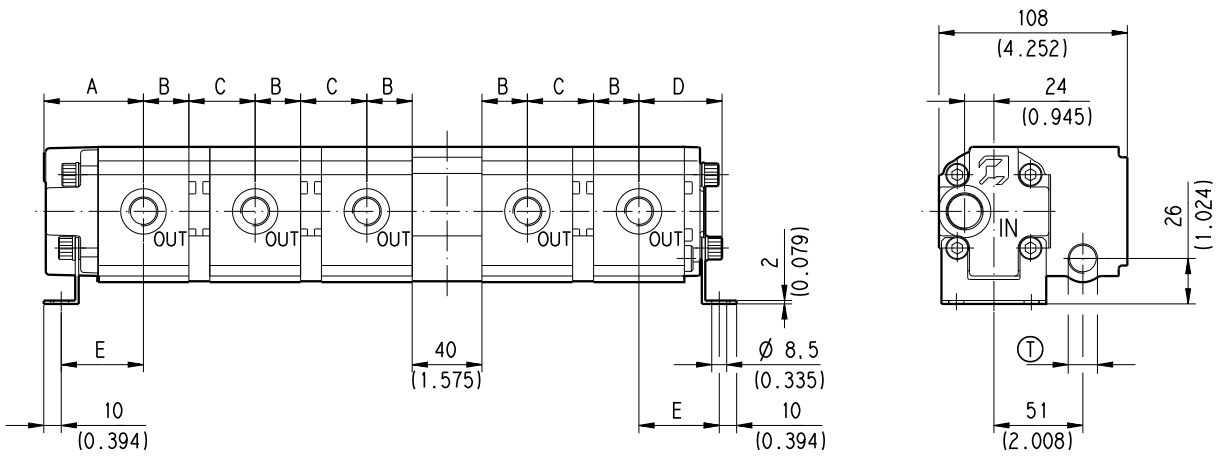
Type	A	B	C	D	E
	mm (in)	mm (in)	mm (in)	mm (in)	mm (in)
PLD 10•2	50,2 (1.976)	19,2 (0.756)	31,2 (1.228)	41,8 (1.646)	40,3 (1.587)
PLD 10•3,15	52 (2.047)	21 (0.827)	33 (1.299)	43,6 (1.717)	42,1 (1.657)
PLD 10•4	53,4 (2.102)	22,4 (0.882)	34,4 (1.354)	45 (1.772)	43,5 (1.713)
PLD 10•5	55 (2.165)	24 (0.945)	36 (1.417)	46,6 (1.835)	45,1 (1.776)
PLD 10•6,3	57 (2.244)	26 (1.024)	38 (1.496)	48,6 (1.913)	47,1 (1.854)

03/01.2013

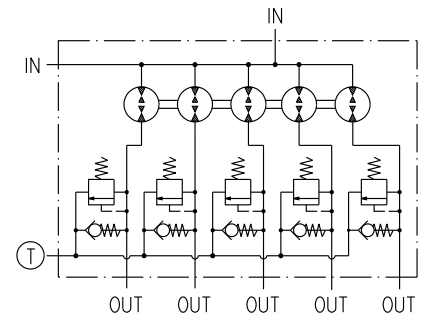
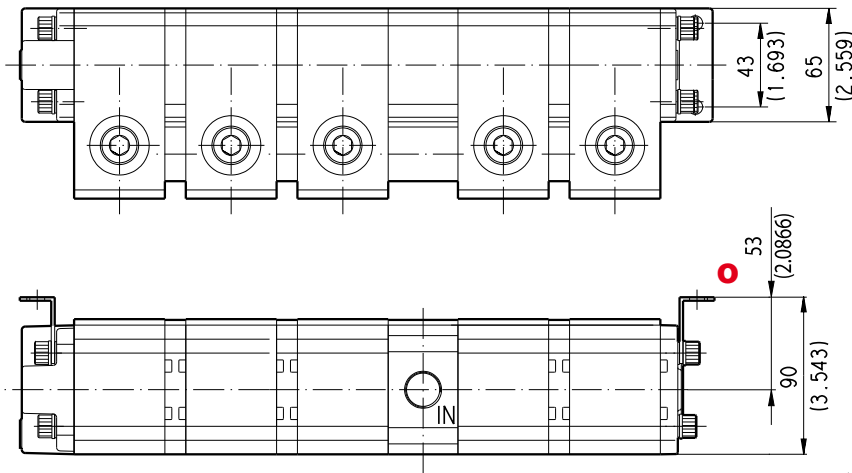
SAME GROUP DIMENSIONS WITH VALVE

PLD 10

Replaces: 02/11.2000



D024-D38/0200



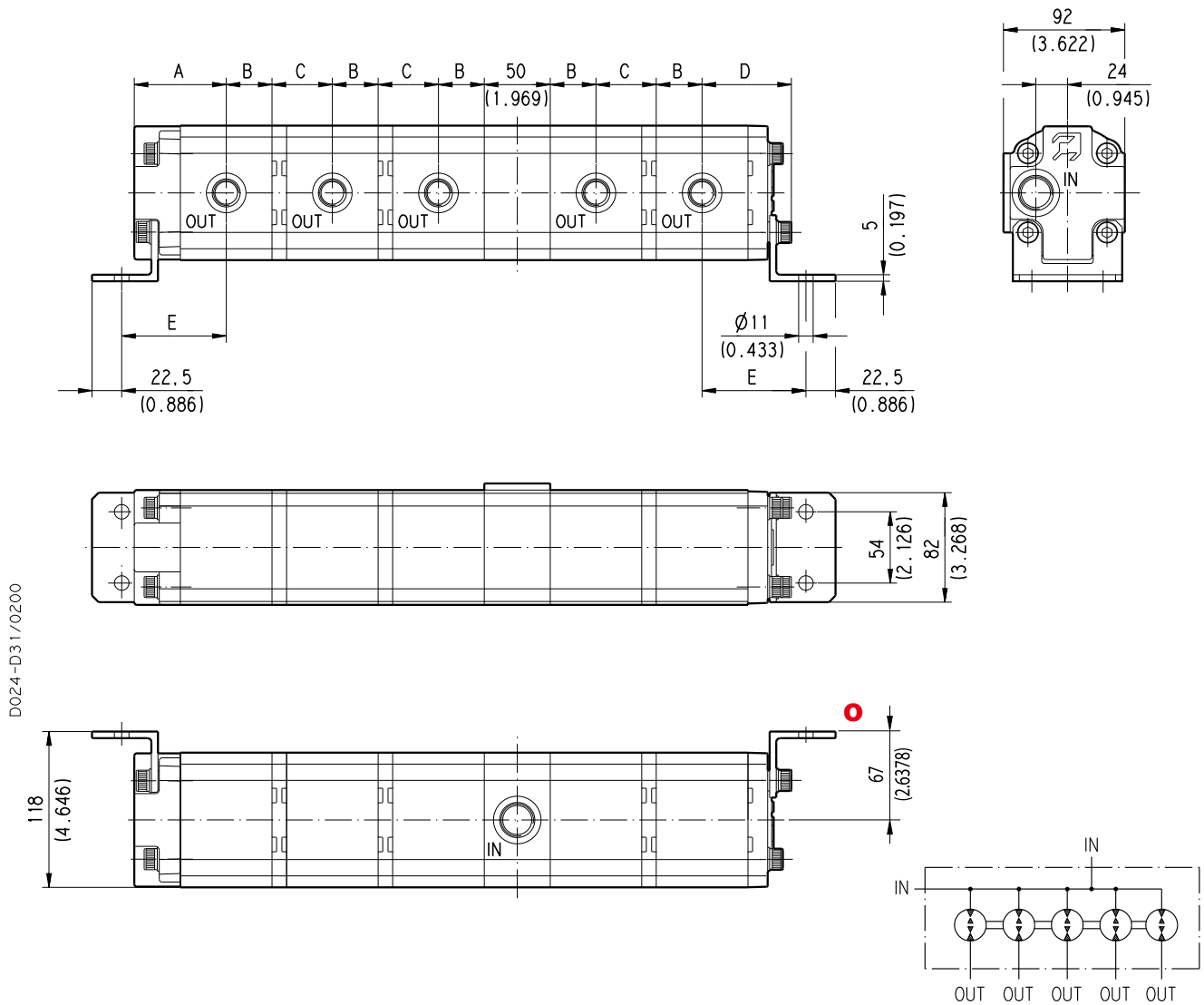
IN, OUT and T ports dimensions are shown on page 14 and page 15.

03/01.2013

Type	A	B	C	D	E
	mm (in)	mm (in)	mm (in)	mm (in)	mm (in)
PLD 10•2	50,2 (1.976)	19,2 (0.756)	31,2 (1.228)	41,8 (1.646)	40,3 (1.587)
PLD 10•3,15	52 (2.047)	21 (0.827)	33 (1.299)	43,6 (1.717)	42,1 (1.657)
PLD 10•4	53,4 (2.102)	22,4 (0.882)	34,4 (1.354)	45 (1.772)	43,5 (1.713)
PLD 10•5	55 (2.165)	24 (0.945)	36 (1.417)	46,6 (1.835)	45,1 (1.776)
PLD 10•6,3	57 (2.244)	26 (1.024)	38 (1.496)	48,6 (1.913)	47,1 (1.854)

SAME GROUP DIMENSIONS

PLD 20



Replaces: 02/11.2000

IN and OUT ports dimensions are shown on page 14 and page 15.

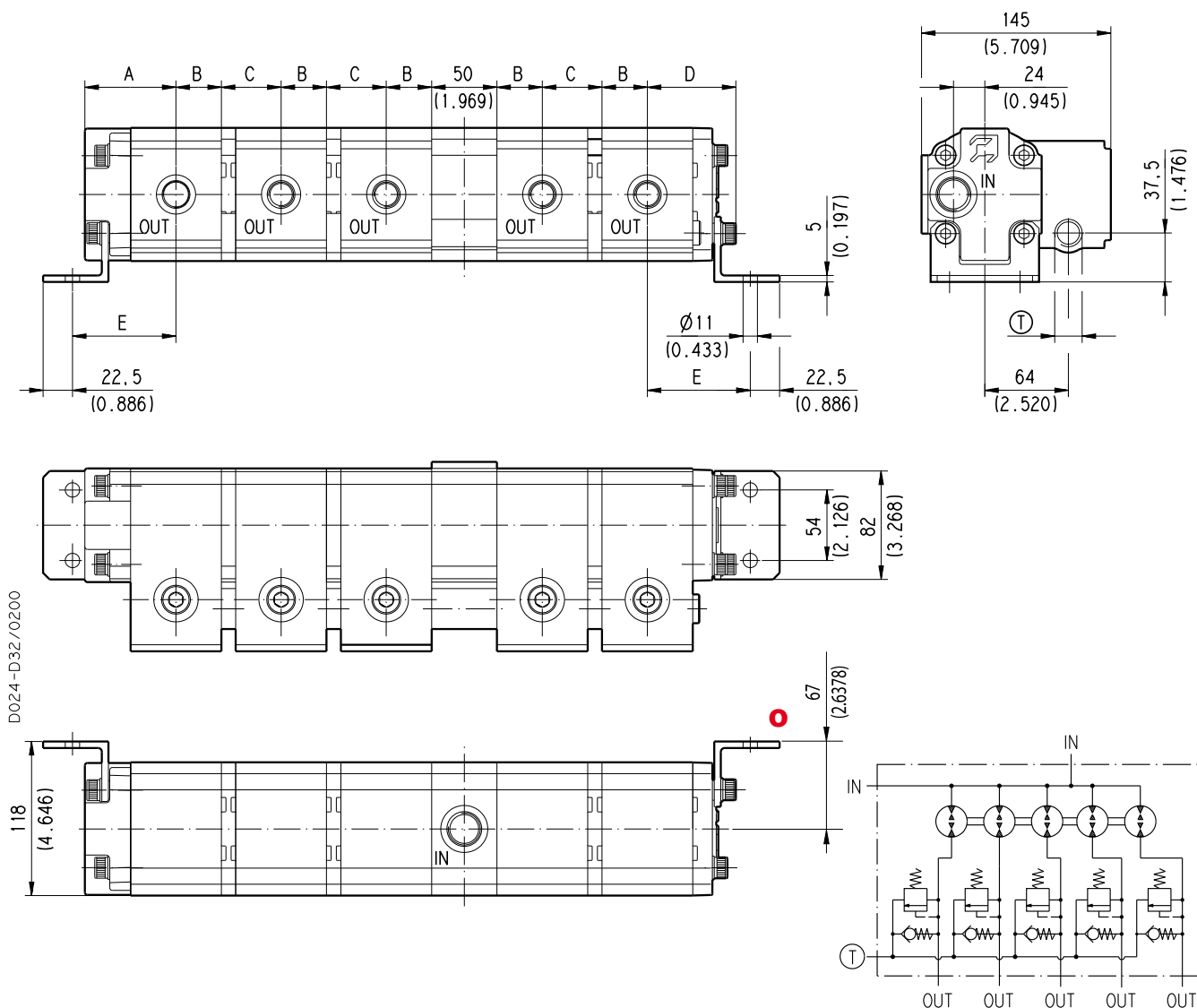
Type	A	B	C	D	E
	mm (in)	mm (in)	mm (in)	mm (in)	mm (in)
PLD 20•4	60,8 (2.394)	25,5 (1.016)	36,8 (1.449)	58,8 (2.315)	69,8 (2.748)
PLD 20•6,3	62 (2.441)	27 (1.063)	38 (1.496)	60 (2.362)	71 (2.795)
PLD 20•8	63,3 (2.492)	28,3 (1.114)	39,3 (1.547)	61,3 (2.413)	72,3 (2.846)
PLD 20•9	63,9 (2.516)	28,9 (1.138)	39,9 (1.571)	61,9 (2.437)	72,9 (2.870)
PLD 20•11,2	65,5 (2.579)	30,5 (1.201)	41,5 (1.634)	63,5 (2.500)	74,5 (2.933)
PLD 20•14	68 (2.677)	33 (1.299)	44 (1.732)	66 (2.598)	77 (3.031)
PLD 20•16	69,8 (2.748)	34,8 (1.370)	45,8 (1.803)	67,8 (2.669)	78,8 (3.102)
PLD 20•20	73 (2.874)	38 (1.496)	49 (1.929)	71 (2.795)	82 (3.228)
PLD 20•25	77 (3.031)	42 (1.654)	53 (2.087)	75 (2.795)	86 (3.386)
PLD 20•31,5	82 (3.228)	47 (1.850)	58 (2.283)	80 (3.150)	91 (3.583)

03/01.2013

SAME GROUP DIMENSIONS WITH VALVE

PLD 20

Replaces: 02/11.2000



IN, OUT and T ports dimensions are shown on page 14 and page 15.

03/01.2013

Type	A	B	C	D	E
	mm (in)	mm (in)	mm (in)	mm (in)	mm (in)
PLD 20•4	60,8 (2.394)	25,5 (1.016)	36,8 (1.449)	58,8 (2.315)	69,8 (2.748)
PLD 20•6,3	62 (2.441)	27 (1.063)	38 (1.496)	60 (2.362)	71 (2.795)
PLD 20•8	63,3 (2.492)	28,3 (1.114)	39,3 (1.547)	61,3 (2.413)	72,3 (2.846)
PLD 20•9	63,9 (2.516)	28,9 (1.138)	39,9 (1.571)	61,9 (2.437)	72,9 (2.870)
PLD 20•11,2	65,5 (2.579)	30,5 (1.201)	41,5 (1.634)	63,5 (2.500)	74,5 (2.933)
PLD 20•14	68 (2.677)	33 (1.299)	44 (1.732)	66 (2.598)	77 (3.031)
PLD 20•16	69,8 (2.748)	34,8 (1.370)	45,8 (1.803)	67,8 (2.669)	78,8 (3.102)
PLD 20•20	73 (2.874)	38 (1.496)	49 (1.929)	71 (2.795)	82 (3.228)
PLD 20•25	77 (3.031)	42 (1.654)	53 (2.087)	75 (2.795)	86 (3.386)
PLD 20•31,5	82 (3.228)	47 (1.850)	58 (2.283)	80 (3.150)	91 (3.583)

HOW TO ORDER

 Only for version
with valve

 1 2 3 4 5 6 5 6 7 4 5 6 8 4 9 10 11 12
PLD 20 / 3 / CS - GE / 25 - GD / 25 - GD / CI - GE / 25 - GD / CD - GE / VPEF - 50 - GD - V

Series	/	Left inlet section	/	Section	/	Section	/	Interm. inlet section	/	Section	/	Right inlet section	/	Relief valve
--------	---	--------------------	---	---------	---	---------	---	-----------------------	---	---------	---	---------------------	---	--------------

1	Series	Code
Polaris 10		PLD 10
Polaris 20		PLD 20

2	Number of sections	Code
From 2 to 6 sections		2 ... 6

3	Standard side inlet section	Code
Left inlet section (1)		CS

4	Inlet port dimensions	Code
GAS STRAIGHT THREAD PORTS (BSPP)		
PLD 10		GD
PLD 20		GE
SAE STRAIGHT THREAD PORTS (ODT)		
PLD 10		OB
PLD 20		OD

5	Displacement	Code
PLD 10		
0.12 in ³ /rev (2 cm ³ /rev)		PLD 10•2
0.19 in ³ /rev (3,1 cm ³ /rev)		PLD 10•3,15
0.24 in ³ /rev (4 cm ³ /rev)		PLD 10•4
0.30 in ³ /rev (4,9 cm ³ /rev)		PLD 10•5
0.38 in ³ /rev (6,2 cm ³ /rev)		PLD 10•6,3
PLD 20		
0.29 in ³ /rev (4,8 cm ³ /rev)		PLD 20•4
0.39 in ³ /rev (6,5 cm ³ /rev)		PLD 20•6,3
0.50 in ³ /rev (8,3 cm ³ /rev)		PLD 20•8
0.67 in ³ /rev (11,1 cm ³ /rev)		PLD 20•11,2
0.88 in ³ /rev (14,4 cm ³ /rev)		PLD 20•14
1.01 in ³ /rev (16,6 cm ³ /rev)		PLD 20•16
1.27 in ³ /rev (20,8 cm ³ /rev)		PLD 20•20
1.58 in ³ /rev (26 cm ³ /rev)		PLD 20•25
1.99 in ³ /rev (32,6 cm ³ /rev)		PLD 20•31,5

Code	Outlet port dimensions	6
GAS STRAIGHT THREAD PORTS (BSPP)		
GC	PLD 10	
GD	PLD 20	
SAE STRAIGHT THREAD PORTS (ODT)		
OA	PLD 10	
OC	PLD 20	

Code	Intermediate inlet section (2)	7
CI	Intermediate inlet section	

Code	Supplementary inlet section (2)	8
CD	Right inlet section (1)	

Code	Relief valve	9
VPEF	Relief valve	

Code	Valve setting [bar]	10
...	See page 4	

Code	T outlet port dimensions	11
GAS STRAIGHT THREAD PORTS (BSPP)		
GC	PLD 10	
GD	PLD 20	
SAE STRAIGHT THREAD PORTS (ODT)		
OA	PLD 10	
OB	PLD 20	

Code	Seals	12
...	Buna (3)	
V	Viton	

- (1) Looking at the sections from the outlet ports side.
- (2) Choice the inlet selections number according to the general data on page 12 and 13.
- (3) Omit this code for Buna seals.

Our policy is one of continuous improvement in product. Specification of items may, therefore, be changed without notice.

02/11.2000

NOTES

NOTES

Our policy is one of continuous improvement in product. Specification of items may, therefore, be changed without notice.

PLD 03 T A

Edition: 03/01.2013

Replaces: PLD 02 T A



CASAPPA S.p.A.
Via Balestrieri, 1
43044 Cavalli di Collecchio - Parma (Italy)
Tel. +39 0521 304111
Fax +39 0521 804600
E-mail: info@casappa.com
www.casappa.com

