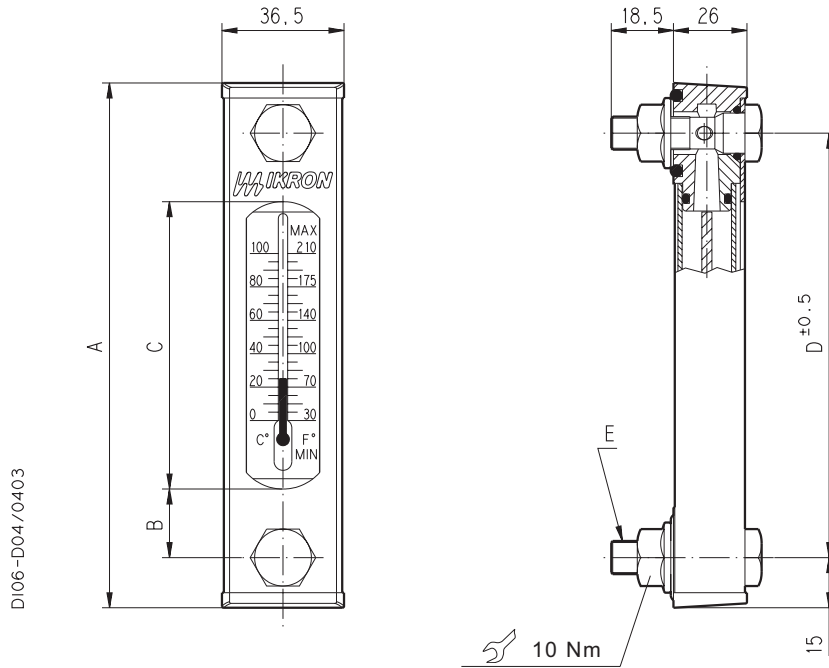


# LEVEL AND TEMPERATURE GAUGES HL 91 SERIES

The indicators HL 91 series are applied on reservoirs containing oil based fluids and they allow the survey of the level, and eventually of the temperature. The HL 91 series products are made of plastic material mounted on a aluminium frame.



Replaces: 02/09.01

TECHNICAL DATA						
Max. operating pressure	Operating temperature	Fluid compatibility		Seals		Thermometer scale
1 bar	- 30 + 90 [°C]	Mineral oil	Petroleum based fluids	Buna	Viton	0 + 100 [°C]

Gauge type	A	B	C	D	E	Drilling tank	E	Drilling tank	F	G	H	Weight [kg]
	mm	mm	mm	mm		mm		mm	mm	mm	mm	
HL 91-10	106	17,5	41	76	M10X1,5	11	M12x1,75	13	-	-	-	0,15
HL 91-20	157	20,5	86	127	M10x1,5	11	M12X1,75	13	-	-	-	0,19
HL 91-30	284	20,5	213	254	M10X1,5	11	M12X1,75	13	-	-	-	0,23

## HOW TO ORDER

1	2	3	4
HL 91-10	- T1	- T	- B

1	Gauge type	CODE
Centre 76 mm		HL 91-10
Centre 127 mm		HL 91-20
Centre 254 mm		HL 91-30

2	Screw fixing	CODE
M10X1,5		T1
M12X1,75		T2

3	Thermometer	CODE
None		N
With thermometer		T

4	Seals	CODE
Buna		B
Viton		V

Di06-002 - 03/04.03